

No.KAICO/HO/Tech/Kommeri Goat Farm/KNR/2017-18

Dated : 18.01.2018

To

Shri.
Empanel Contractor
.....
.....
.....

Sir,

Sub:- Tender Schedule in respect of the Project of Kommeri Goat Farm, Kannur
-Balance work- Re Tender- reg.

Ref:- Last date of receipt of Tender documents dated : 27.01.2018 at 4.00 PM

This is to inform that the first phase of the Project of Kommeri Goat Farm, Kannur (Balance work) to be arranged with immediate effect and to be completed within the minimum time. The Project mainly covers as nine parts and the details of items of works and quantities etc will be published in our website www.keralaagro.com Please download the schedule of all works from our website, quote your rate for each items and arrived the amount may be submitted to this Office on or before 27.01.2018 at 4.00PM. The documents should be covered with sealed cover only and the same will be opened on 27.01.2018 at 4.30 PM in the presence of available contractors. An amount of Rs. 500/- (Rupees Five hundred only) to be remitted towards cost of tender schedule.

The tender covers two parts ie, 1st and 2nd part respectively. 1st part contains Technical bids and 2nd part includes Financial bids.

Technical bids:- It includes the following

1. Prepare and provide sample pieces of flooring materials at the opening time of tender.
2. Experience certificate should be produced in the similar work with relevant documents.
3. Copies of turnover of last three financial years.
4. Details of similar type of Project under taken.

5. Technical and financial bid should be submitted on separate sealed cover.
Those who have achieved the Technical score will be opened for Financial evaluation.

In this connection we also bring your notice that the details of plans and all other details of work etc can be obtained from KAICO, Head Office, Thiruvananthapuram from 19.01.2018 to 25.01.2018 on office time between 10 AM to 5 PM.

Thanking You,

Yours faithfully,
For THE KERALA AGRO INDUSTRIES CORPORATION LIMITED,

MANAGING DIRECTOR

**NAME OF WORK:- AHD-RKVY-2013-14- STRENGTHENING OF GOAT FARM AT KOMMERI IN KANNUR DISTRICT
THE PROPOSED GOAT SHED BUILDING AT KOMMERI, KANNUR (BALANCE WORK)**

Sl.No:	DESCRIPTION OF ITEM	UNIT	QTY	RATE IN FIGURES (TO BE QUOTED)	RATE IN WORDS (TO BE QUOTED)	AMOUNT (TO BE ARRIVED)
1	Earth work excavation in ordinary soil and depositing on bank with initial lead upto 50m and lift upto 1 m including neat banking for site levelling.(Balance quantity)	m3	25.00			
2	C.C 1:1.5:3 using 20mm broken stone including cost conveyance and labour charges etc. complete.(Balance quantity)	m3	5.00			
3	Vibrated Reinforced Cement Concrete 1:1.5:3 (one cement one and half manufactured sand and three stone) using 20mm metal including all form work, watering, curing, cost and conveyance of all materials to site, all labour charges but excluding cost of reinforcement for lintel, shade and beam as directed by the departmental officers at site.(Balance quantity)	m3	10.00			

4	Reinforcement for R.C.C work bent tied and placed in position using tor steel (TMT) including cost, conveyance and labour charges etc. complete.(Balance quantity)	Qtl	5.00			
5	Supplying fabricating and erecting tubular roof trusses and purlins with Alu-Zinc sheet nearest available size with overlaps of 150mm at ends and GI hooks or crank bolts and nuts and plain washers and bitumen washers etc.complete	m2	12 nos (577sq.m)			
6	Plastic slated floor - Weaner Slat Green 60x80cm- Manufactured by 100% virgin material of PP for increased strength and durability, with interlock and unique seamless joining system for easy to lean imported from Rotecna,Spain	no	1000.00			
7	Kids Goat Feeder- size 96cm L x 21cm W x 30cm H, Weight: 1.5 Kgs, Excellent for feed and water	no	4.00			

8	Adult Goat Feeder-size 121cm L x 230cm W x 330cm H, Weight: 5.7 Kgs	no	32.00			
9	Plastic Automatic Water Drinker- Made of PA66Nylon with UV additive, Dim:28Lx27Wx12Dcm, Cap 4 litre	no	36.00			
10	GI Partition work for goat shed	LS				
The above quantities belongs to 1 number Goat shed				TOTAL		
Total numbers of Goat shed- 3 nos				x 3		

**NAME OF WORK:- AHD-RKVY-2013-14- STRENGTHENING OF GOAT FARM AT
KOMMERI IN KANNUR DISTRICT THE PROPOSED TRAINING HALL AT KOMMERY, KANNUR.**

Sl.No:	DESCRIPTION OF ITEM	UNIT	QTY	RATE IN FIGURES (TO BE QUOTED)	RATE IN WORDS (TO BE QUOTED)	AMOUNT (TO BE ARRIVED)
1	Earth work in excavation by mechanical means (Hydraulic excavator) / manual means in foundation trenches or drains (not exceeding 1.5 m in width or 10 sqm on plan), including dressing of sides and ramming of bottoms, lift upto 1.5 m, including getting out the excavated soil and disposal of surplus excavated soil as directed, within a lead of 50m. 2.8.1 All kinds of soil.cum 157.50	m3	41.00			
2	Providing and laying in position cement concrete of specified grade excluding the cost of centering and shuttering - All work up to plinth level (1:1.5:3)	m3	5.00			
3	Latrite neatly dressed stone of size 35 X 20 X 20 cm in cement mortar 1:6 for foundation and basement including cost, conveyance of all materials and labour charges etc.complete.	m3	41.00			

4	Laterite neatly dressed stone of size 35 X 20 X 20 cm in cement mortar 1:6 for foundation and basement including cost, conveyance of all materials and labour charges etc.complete.	m3	7.00			
5	Laterite neatly dressed stone of size 35x20x20cm in cement mortar 1:6 for superstructure in ground floor upto height including cost, conveyance of all materials and labour charges etc. complete.	m3	39.00			
6	Reinforced cement concrete work in beams, suspended floors, roofs having slope up to 15° landings, balconies, shelves, chajjas, lintels, bands, plain window sills, staircases and spiral stair cases up to floor five level, excluding the cost of centering, shuttering, finishing and reinforcement, with 1:1.5:3	m3	20.00			
7	Reinforced cement concrete work in beams, suspended floors, roofs having slope up to 15° landings, balconies, shelves, chajjas, lintels, bands, plain window sills, staircases and spiral stair cases up to floor five level, excluding the cost of centering, shuttering, finishing and reinforcement, with 1:1.5:3					

	Main slab	m3	20.00			
8	Steel reinforcement for R.C.C. work including straightening, cutting, bending, placing in position and binding all complete upto plinth level. 5.22.6 Thermo-Mechanically Treated bars Kg 68.10 Take 70kg/m3 of concrete	Kg	2800.00			
9	Centering and shuttering including strutting, propping etc. and removal of form for Lintels, beams, plinth beams, girders, bressumers and cantilevers	m2	118.00			
10	Centering and shuttering including strutting, propping etc. and removal of form for Suspended floors, roofs, landings, balconies and access platform	m2	163.00			
11	Anjili wood (classII) planed and framed work for frames of doors and windows, ventilators etc in cost, conveyance, labour charges etc. complete.	m3	1.00			
12	Supplying and fitting Anjili wood fully panelled shutters to suite the door frames already fixed, inclusive of cost, conveyance, labour charges etc but excluding cost of fittings.					

		m2	14.00			
13	Supplying and fitting Anjili wood fully glazed shutters to suite the window frames already fixed, inclusive of cost, conveyance, labour charges etc but excluding cost of fittings.	m2	7.00			
14	Supplying MS grills to window and ventilators including all labour charges for fabricating and cost of materials and applying a coat of iron primer all labour charge etc.complete.	m2	78.00			
15	Providing and laying in position cement concrete of specified grade excluding the cost of centering and shuttering - All work up to plinth level 1:4:8	m3	14.00			
16	Plastering with C.M 1:3, 6mm thick one coat floated hard and trowelled smooth including cost, conveyance of all materials and labour charges etc complete. (ceiling)	m2	147			
17	Plastering with C.M 1:4, 12mm thick one coat floated hard and trowelled smooth including cost, conveyance of all materials and labour charges etc complete. (inside and outside wall)					

		m2	495.00			
18	Providing and laying vitrified floor tiles in different sizes (thickness to be specified by the manufacturer) with water absorption less than 0.08% and conforming to IS : 15622, of approved make, in all colours and shades, laid on 20mm thick cement mortar 1:4 (1 cement : 4 coarse sand), including grouting the joints with white cement and matching pigments	m2	136			
19	13.60 Wall painting with acrylic emulsion paint of approved brand and manufacture to give an even shade : 13.60.1 Two or more coats on new work sqm 80.50(inside and outside wall)	m2	495.00			

TOTAL					
--------------	--	--	--	--	--

NAME OF WORK:- AHD-RKVY-2013-14- STRENGTHENING OF GOAT FARM AT KOMMERI IN KANNUR DISTRICT**THE PROPOSED HOSPITAL BUILDING AT KOMMERY, KANNUR.**

Sl.No:	DESCRIPTION OF ITEM	UNIT	QTY	RATE IN FIGURES (TO BE QUOTED)	RATE IN WORDS (TO BE QUOTED)	AMOUNT (TO BE ARRIVED)
1	Earth work in excavation by mechanical means (Hydraulic excavator) / manual means in foundation trenches or drains (not exceeding 1.5 m in width or 10 sqm on plan), including dressing of sides and ramming of bottoms, lift upto 1.5 m, including getting out the excavated soil and disposal of surplus excavated soil as directed, within a lead of 50 m. All kinds of soil cum 157.50(2.8.1)	m3	40.00			
2	Providing and laying in position cement concrete of specified grade excluding the cost of centering and shuttering - All work up to plinth level (1:1.5:3)	m3	4.00			
3	Latrite neatly dressed stone of size 35 X 20 X 20 cm in cement mortar 1:6 for foundation and basement including cost, conveyance of all materials and labour charges etc.complete.	m3	40.00			
	Latrite neatly dressed stone of size 35 X 20 X 20 cm in cement mortar 1:6 for foundation and					

4	basement including cost, conveyance of all materials and labour charges etc.complete.	m3	7.00			
5	Laterite neatly dressed stone of size 35x20x20cm in cement mortar 1:6 for superstructure in ground floor upto height including cost, conveyance of all materials and labour charges etc. complete.	m3	36.00			
6	Reinforced cement concrete work in beams, suspended floors, roofs having slope up to 15° landings, balconies, shelves, chajjas, lintels, bands, plain window sills, staircases and spiral stair cases up to floor five level, excluding the cost of centering, shuttering, finishing and reinforcement, with 1:1.5:3	m3	14.00			
7	Reinforced cement concrete work in beams, suspended floors, roofs having slope up to 15° landings, balconies, shelves, chajjas, lintels, bands, plain window sills, staircases and spiral stair cases up to floor five level, excluding the cost of centering, shuttering, finishing and reinforcement, with 1:1.5:3					
	Main slab	m3	13.00			

8	Steel reinforcement for R.C.C. work including straightening, cutting, bending, placing in position and binding all complete upto plinth level. 5.22.6 Thermo-Mechanically Treated bars Kg 68.10 Take 70kg/m ³ of concrete	Kg	1890.00			
9	Centering and shuttering including strutting, propping etc. and removal of form for Lintels, beams, plinth beams, girders, bressumers and cantilevers	m ²	82.00			
10	Centering and shuttering including strutting, propping etc. and removal of form for Suspended floors, roofs, landings, balconies and access platform	m ²	105.00			
11	Steel work in built up tubular (round, square or rectangular hollow tubes etc.) trusses etc., including cutting, hoisting, fixing in position and applying a priming coat of approved steel primer, including welding and bolted with special shaped washers etc. complete. 10.16.1 Hot finished welded type tubes	nos	3.00			
12	Irul wood (class II) planed and framed work for frames of doors and windows, ventilators etc in cost, conveyance, labour charges etc. complete.	m ³	1.00			
13	Supplying and fitting Irul wood fully panelled shutters to suite the door frames already fixed, inclusive of cost, conveyance, labour charges etc	m ²	10.00			

	but excluding cost of fittings.					
14	Supplying and fitting Irulwood fully glazed shutters to suite the window frames already fixed, inclusive of cost, conveyance, labour charges etc but excluding cost of fittings.	m2	5.00			
15	Supplying MS grills to window and ventilators including all labour charges for fabricating and cost of materials and applying a coat of iron primer all labour charge etc.complete.	m2	42.00			
16	Providing and laying in position cement concrete of specified grade excluding the cost of centering and shuttering - All work up to plinth level 1:4:8	m3	9.00			
17	Plastering with C.M 1:3, 6mm thick one coat floated hard and trowelled smooth including cost, conveyance of all materials and labour charges etc complete. (ceiling)	m2	93.00			
18	Plastering with C.M 1:4, 12mm thick one coat floated hard and trowelled smooth including cost, conveyance of all materials and labour charges etc complete. (inside and outside wall)	m2	478.00			

19	Providing and laying vitrified floor tiles in different sizes (thickness to be specified by the manufacturer) with water absorption less than 0.08% and conforming to IS : 15622, of approved make, in all colours and shades, laid on 20mm thick cement mortar 1:4 (1 cement : 4 coarse sand), including grouting the joints with white cement and matching pigment	m2	86.00			
19	13.60 Wall painting with acrylic emulsion paint of approved brand and manufacture to give an even shade : 13.60.1 Two or more coats on new work sqm 80.50 (inside and outside wall)	m2	478.00			
TOTAL						

**NAME OF WORK:- AHD-RKVY-2013-14- STRENGTHENING OF GOAT FARM AT
THE PROPOSED FEED STORAGE BUILDING AT KOMMERI, KANNUR**

Sl.No:	DESCRIPTION OF ITEM	UNIT	QTY	RATE IN FIGURES (TO BE QUOTED)	RATE IN WORDS (TO BE QUOTED)	AMOUNT (TO BE ARRIVED)
1	Earth work in excavation by mechanical means (Hydraulic excavator)/ manual means in foundation trenches or drains (not exceeding 1.5 m in width or 10 sqm on plan), including dressing of sides and ramming of bottoms, lift upto 1.5 m, including getting out the excavated soil and disposal of surplus excavated soil as directed, within a lead of 50 m. 2.8.1 All kinds of soil. cum 157.50	m3	11.00			
2	Providing and laying in position cement concrete of specified grade excluding the cost of centering and shuttering - All work up to plinth level (1:1.5:3)(1 cement : 1.5 coarse sand : 3 graded stone aggregate 20 mm nominal size)	m3	3.00			
3	Laterite neatly dressed stone masonry in cement mortar 1:6 including watering, curing cost and conveyance of all materials and labour charges etc. complete for foundation.	m3	11.00			
4	Laterite neatly dressed stone masonry in cement mortar 1:6 including watering, curing cost and conveyance of all materials and labour charges etc. complete for basement.	m3	5.00			

5	Laterite neatly dressed stone masonry in cement mortar 1:6 including watering, curing cost and conveyance of all materials and labour charges etc. complete for super structure wall plinth level up to floor one level.	m3	13.00			
6	Reinforced cement concrete work in beams, suspended floors, roofs having slope up to 15° landings, balconies, shelves, chajjas, lintels, bands, plain window sills, staircases and spiral stair cases up to floor five level, excluding the cost of centering, shuttering, finishing and reinforcement, with 1:1.5:3 (1 cement : 1.5 coarse sand : 3 graded stone aggregate 20 mm nominal size)	m3	1.00			
7	Steel reinforcement for R.C.C. work including straightening, cutting, bending, placing in position and binding all complete upto plinth level. 5.22.6 Thermo-Mechanically Treated bars Kg 68.10 Take 70kg/m3 of concrete	Kg	94.00			
8	Centering and shuttering including strutting, propping etc. and removal of form for Lintels, beams, plinth beams, girders, bressumers and cantilevers	m2	13.00			
9	Steel work in built up tubular (round, square or rectangular hollow tubes etc.) trusses etc., including cutting, hoisting, fixing in position and applying a priming coat of approved steel primer, including welding and bolted with special shaped					

	welding and done with special shaped washers etc. complete. 10.16.1 Hot finished welded type tubes	nos	3.00			
10	Providing wood work in frames of doors , windows, clerestory windows and other frames, wrought framed and fixed in position and with hold fast lugs or with dash fasteners of required dia and length (hold fast lugs or dash fasteners shall be paid for seperately). Using good quality Irul wood.	m3	0.20			
11	Providing and fixing panelled or panelled and glazed shutters for doors, windows and clerestory windows, including ISI marked M.S. pressed butt hinges bright finished of required size with necessary screws, excluding panelling which will be paid for separately, all complete as per direction of Engineer-in-charge.Using Irul wood.	m2	5.00			
12	Providing and fixing glazed shutters for doors, windows and clerestory windows using 4mm thick float glass planes including ISI marked M.S. pressed finished of required size with necessary screws. Using Irul wood 30mm thick shutters	m2	4.80			
13	Providing MS grills to windows and ventilators including all labour charges for fabricating and cost of materials and applying a coat of iron primer all labour charge etc.complete.	Kg	48.00			

14	Providing and laying in position cement concrete of specified grade excluding the cost of centering and shuttering - All work up to plinth level 1:4:8 (1 cement : 4 coarse sand : 8 graded stone aggregate 40 mm nominal size),	m2	35.00			
15	Plastering with C.M 1:4, 12mm thick one coat floated hard and trowelled smooth including cost, conveyance of all materials and labour charges etc complete. (inside and outside wall)	m2	157.00			
16	13.60Wall painting with acrylic emulsion paint of approved brand and manufacture to give an even shade : 13.60.1 Two or more coats on new work sqm 80.50	m2	157.00			
TOTAL						

**NAME OF WORK:- AHD-RKVY-2013-14- STRENGTHENING OF GOAT FARM AT
KOMMERI IN KANNUR DISTRICT THE PROPOSED CHANGE ROOM BUILDING AT KOMMERI, KANNUR**

Sl.No:	DESCRIPTION OF ITEM	UNIT	QTY	RATE IN FIGURES (TO BE QUOTED)	RATE IN WORDS (TO BE QUOTED)	AMOUNT (TO BE ARRIVED)
1	Earth work in excavation by mechanical means (Hydraulic excavator) / manual means in foundation trenches or drains (not exceeding 1.5 m in width or 10 sqm on plan), including dressing of sides and ramming of bottoms, lift upto 1.5 m, including getting out the excavated soil and disposal of surplus excavated soil as directed, within a lead of 50 m. All kinds of soil cum 157.50(2.8.1)	m3	13.00			
2	Providing and laying in position cement concrete of specified grade excluding the cost of centering and shuttering - All work up to plinth level 1:1.5:3(1 cement : 1.5 coarse sand : 3 graded stone aggregate 20 mm nominal size)	m3	3.00			

3	Latrite neatly dressed stone masonry in cement mortar 1:6 including watering ,curing cost, conveyance of all materials and labour charges etc.complete for foundation.	m3	13.00			
4	Latrite neatly dressed stone masonry in cement mortar 1:6 including watering ,curing cost, conveyance of all materials and labour charges etc.complete for basement.	m3	5.00			
5	Latrite neatly dressed stone masonry in cement mortar 1:6 including watering ,curing cost, conveyance of all materials and labour charges etc.complete for super structure wall plinth level up to floor one level	m3	15.00			
6	Reinforced cement concrete work in beams, suspended floors, roofs having slope up to 15° landings, balconies, shelves, chajjas, lintels, bands, plain window sills, staircases and spiral stair cases up to floor five level, excluding the cost of centering, shuttering, finishing and reinforcement, with 1:1.5:3(1 cement : 1.5 coarse sand : 3 graded stone aggregate 20 mm nominal	m3	2.00			
	Vibrated Reinforced cement concrete 1:1.5:3(one cement one and half					

7	manufactured sand and three stone) using 20mm metal including all form work , watering ,curing ,cost and conveyance of all materials to site, all labour charges but excluding cost of reinforcement for slab etc complete as directed by the department officers at site.					
	Main slab	m3	5.00			
8	Steel reinforcement for R.C.C. work including straightening, cutting, bending, placing in position and binding all complete upto plinth level. 5.22.6 Thermo-Mechanically Treated bars Kg 68.10 Take 70kg/m3 of concrete	Kg	490.00			
9	Centering and shuttering including strutting, propping etc. and removal of form for Lintels, beams, plinth beams, girders, bressumers and cantilevers					
	Lintel	m2	14.00			
10	Centering and shuttering including strutting, propping etc. and removal of form for Suspended floors, roofs, landings, balconies and access platform					
	Main Slab	m2	5.00			
	Providing wood work in frames of doors, windows, clerestory windows and other frames, wrought framed and					

11	fixed in position with hold fast lugs or with dash fasteners of required dia & length (hold fast lugs or dash fastener shall be paid for separately). using good quality Irul wood	m3	0.40			
12	Providing and fixing panelled or panelled and glazed shutters for doors, windows and clerestory windows, including ISI marked M.S. pressed butt hinges bright finished of required size with necessary screws, excluding panelling which will be paid for separately, all complete as per direction of Engineer-in-charge. Using Irul wood	m2	7.10			
13	Providing and fixing panelled or panelled and glazed shutters for doors, windows and clerestory windows, including ISI marked M.S. pressed butt hinges bright finished of required size with necessary screws Using Irul wood 30 mm thick shutters	m2	4.60			
14	Supplying MS grills to window and ventilators including all labour charges for fabricating and cost of materials and applying a coat of iron primer all labour charge etc.complete.	Kg	46.00			

15	Providing and laying in position cement concrete of specified grade excluding the cost of centering and shuttering - All work up to plinth level 1:4:8 mix (1 cement : 4 coarse sand : 8 graded stone aggregate 40 mm nominal size) cum	m2	76.00			
16	Providing and laying vitrified floor tiles in different sizes (thickness to be specified by the manufacturer) with water absorption less than 0.08% and conforming to IS : 15622, of approved make, in all colours and shades, laid on 20mm thick cement mortar 1:4 (1 cement : 4 coarse sand), including grouting the joints with white cement and matching pigments etc.,	m2	76.00			
17	Plastering with C.M 1:4, 12mm thick one coat floated hard and trowelled smooth including cost, conveyance of all materials and labour charges etc complete. (inside and outside wall)	m2	178.00			
18	Plastering with C.M 1:4, 12mm thick one coat floated hard and trowelled smooth including cost, conveyance of all materials and labour charges etc complete. (ceiling)	m2	43.00			

19	13.60 Wall painting with acrylic emulsion paint of approved brand and manufacture to give an even shade : 13.60.1 Two or more coats on new work sqm 80.50	m2	254.00			

TOTAL			
--------------	--	--	--

**NAME OF WORK:- AHD-RKVY-2013-14- STRENGTHENING OF GOAT FARM AT
KOMMERI IN KANNUR DISTRICT -PROPOSED QUARANTINE SHED AT KOMMERI, KANNUR**

Sl.No:	DESCRIPTION OF ITEM	UNIT	QTY	RATE IN FIGURES (TO BE QUOTED)	RATE IN WORDS (TO BE QUOTED)	AMOUNT (TO BE ARRIVED)
1	Earth work in excavation by mechanical means (Hydraulic excavator) / manual means in foundation trenches or drains (not exceeding 1.5 m in width or 10 sqm on plan), including dressing of sides and ramming of bottoms, lift upto 1.5 m, including getting out the excavated soil and disposal of surplus excavated soil as directed, within a lead of 50 m. All kinds of soil cum 157.50	m3	26.00			
2	Providing and laying in position cement concrete of specified grade excluding the cost of centering and shuttering - All work up to plinth level (1:1.5:3)	m3	2.00			
3	Reinforced cement concrete work in beams, suspended floors, roofs having slope up to 15° landings, balconies, shelves, chajjas, lintels, bands, plain window sills, staircases and spiral stair cases up to floor five level, excluding the cost of centering, shuttering, finishing and reinforcement, with 1:1.5:3	m3	17.00			
4	Steel reinforcement for R.C.C. work including straightening, cutting, bending, placing in position and binding all complete upto plinth level. 5.22.6 Thermo-Mechanically Treated bars Kg 68.10	Kg	1530.00			

5	Steel work in built up tubular (round, square or rectangular hollow tubes etc.) trusses etc., including cutting, hoisting, fixing in position and applying a priming coat of approved steel primer, including welding and bolted with special shaped washers etc. complete. 10.16.1 Hot finished welded type tubes	no	5.00			
6	Plastic slated floor - Weaner Slat Green 60x80cm- Manufactured by 100% virgin material of PP for increased strength and durability, with interlock and unique seamless joining system for easy to lean imported from Rotecna,Spain	no	190.00			
7	Kids Goat Feeder- size 96cm L x 21cm W x 30cm H, Weight: 1.5 Kgs, Excellent for feed and water	no	2.00			
8	Adult Goat Feeder-size 121cm L x 230cm W x 330cm H, Weight: 5.7 Kgs	no	8.00			
9	Plastic Automatic Water Drinker-Made of PA66Nylon with UV additive, Dim:28Lx27Wx12Dcm, Cap 4 litre	no	10.00			
10	GI Partition work for goat shed	LS				

TOTAL					
-------	--	--	--	--	--

**NAME OF WORK:- AHD-RKVY-2013-14- STRENGTHENING OF GOAT FARM AT KOMMERI IN
KANNUR DISTRICT -FLOORING WORK OF EXISTING GOAT SHEDS AT KOMMERI, KANNUR**

Sl.No:	DESCRIPTION OF ITEM	UNIT	QTY	RATE IN FIGURES (TO BE QUOTED)	RATE IN WORDS (TO BE QUOTED)	AMOUNT (TO BE ARRIVED)
1	Plastic slated floor - Weaner Slat Green 60x80cm- Manufactured by 100% virgin material of PP for increased strength and durability, with interlock and unique seamless joining system for easy to lean imported from Rotecna,Spain	no	1681.00			

TOTAL		
-------	--	--

**NAME OF WORK:- AHD-RKVY-2013-14- STRENGTHENING OF GOAT FARM AT KOMMERI
IN KANNUR DISTRICT THE PROPOSED DEEP BURRIAL PIT AT KOMMERY, KANNUR.**

Sl.No:	DESCRIPTION OF ITEM	UNIT	QTY	RATE IN FIGURES(TO BE QUOTED)	RATE IN WORDS (TO BE QUOTED)	AMOUNT (TO BE ARRIVED)
1	Earth work in exavation by mechanical means (Hydraulic excavatory)/manual means in foundation trenches or drains (not exceeding 1.5m width or 10 sqm on plan),including dressing of sides and ramming bottoms,lift upto 1.5m,including getting out the excavated soiland disposal of surplus excavated soil as directed,within a lead of 50m2.8.1 all kinds of soil.cum157.50	m ³	250.00			
2	Providing and laying in position specified grade of reinforced cement concrete,excluding the cost of centering,shuttering,finishing and reinforcement-allwork upto plinth level(1:1.5:3)	m ³	5.00			
3	Laterite neatly dressed stone of size 35x20x20cm in cement mortar 1:6 for superstructure in ground floor upto height including cost, conveyance of all materials and labour charges etc. complete. 21 cm walls					

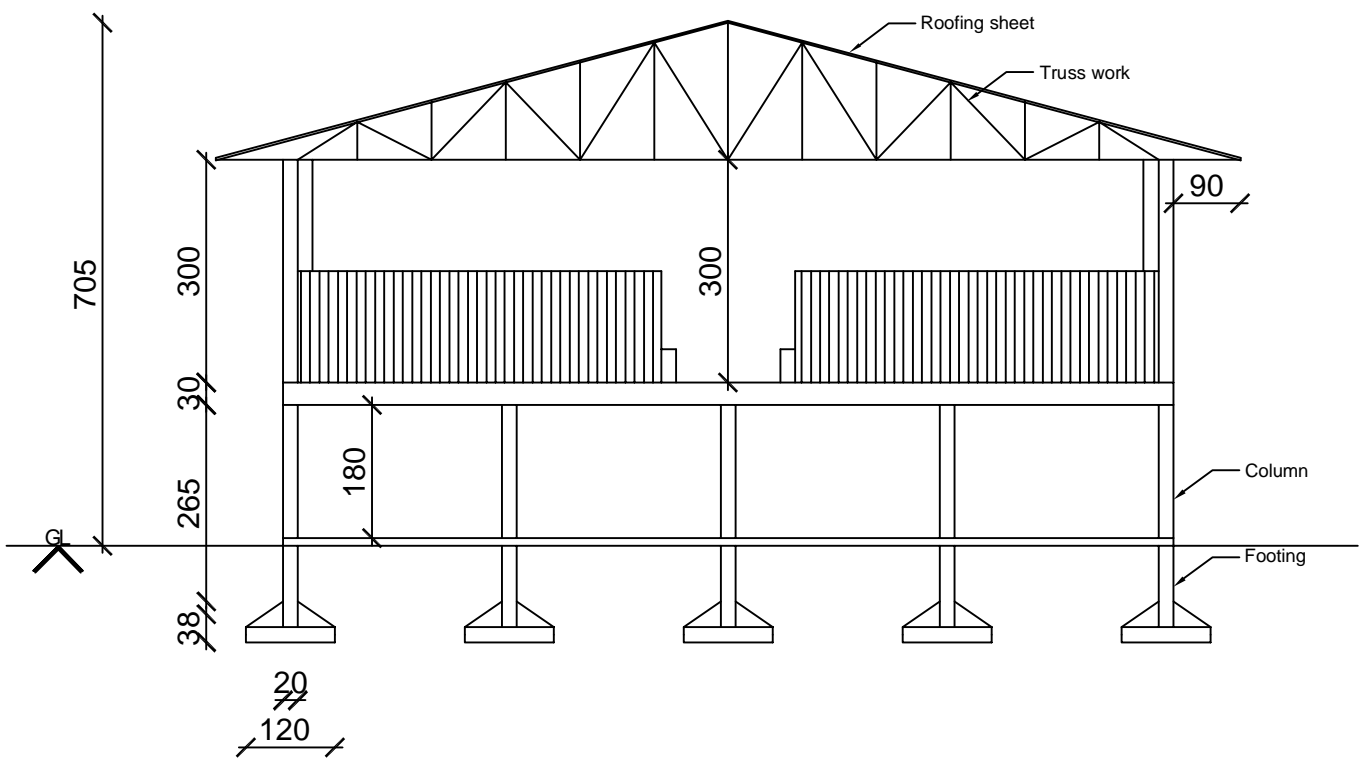
	Building all round & cross walls	m ³	40.00			
4	Plastering with C.M 1:4, 12mm thick one coat floated hard and trowelled smooth including cost, conveyance of all materials and labour charges etc complete. (inside and outside wall)	m ²	200.00			

TOTAL			
-------	--	--	--

**NAME OF WORK:- AHD-RKVY-2013-14- STRENGTHENING OF GOAT FARM AT
KOMMERI IN KANNUR DISTRICT -PROPOSED DUNG PIT AT KOMMERY, KANNUR.**

Sl.No:	DESCRIPTION OF ITEM	UNIT	QTY	RATE IN FIGURES (TO BE QUOTED)	RATE IN WORDS (TO BE QUOTED)	AMOUNT (TO BE ARRIVED)
1	Earth work excavation by mechanical means (Hydraulic excavatory)/ manual means in foundation trenches or drains (not exceeding 1.5m width or 10 sqm on plan),including dressing of sides and ramming bottoms, lift upto 1.5m,including getting out the excavated soiland disposal of surplus excavated soil as directed, within a lead of 50m2.8.1 all kinds of soil.cum157.50	m3	375			
2	Providing and laying in position specified grade of reinforced cement concrete, excluding the cost of centering,shuttering, finishing and reinforcement-allwork upto plinth level(1:1.5:3)	m3	8.00			

3	<p>Laterite neatly dressed stone of size 35x20x20cm in cement mortar 1:6 for superstructure in ground floor upto height including cost, conveyance of all materials and labour charges etc. complete. 21 cm walls Building all round & cross walls</p>	m3	40			
4	<p>Plastering with C.M 1:4, 12mm thick one coat floated hard and trowelled smooth including cost, conveyance of all materials and labour charges etc complete. (inside and outside wall)</p>	m2	200			
5	<p>10.16 Steel work in built up tubular (round, square or rectangular hollow tubes etc.) trusses etc., including cutting, hoisting, fixing, in position and applying a priming coat of steel primer, including welding and bolted with special shapeed washers etc. complete. 10.16.1 Hot finished welded type tubes</p>	nos	3			
TOTAL						



GOAT SHED BUILDING

CLIENT:	TITLE : SECTION AA DWG No: 4/ 4	REMARKS:
	**ALL DIMENSIONS ARE IN CENTIMETERS	

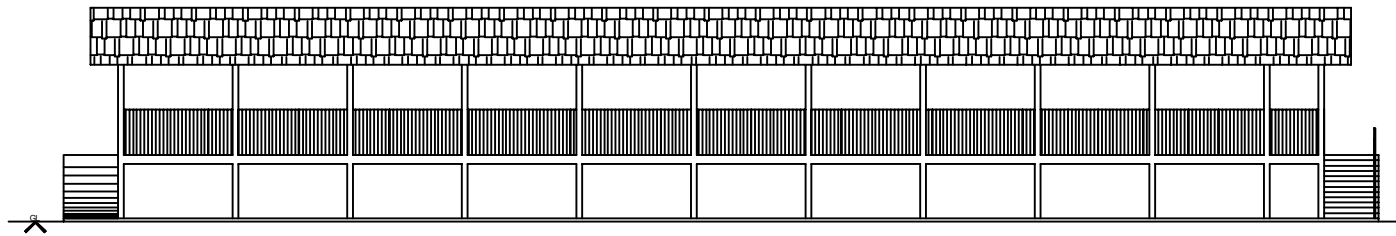
CLIENT:

TITLE : ELEVATION

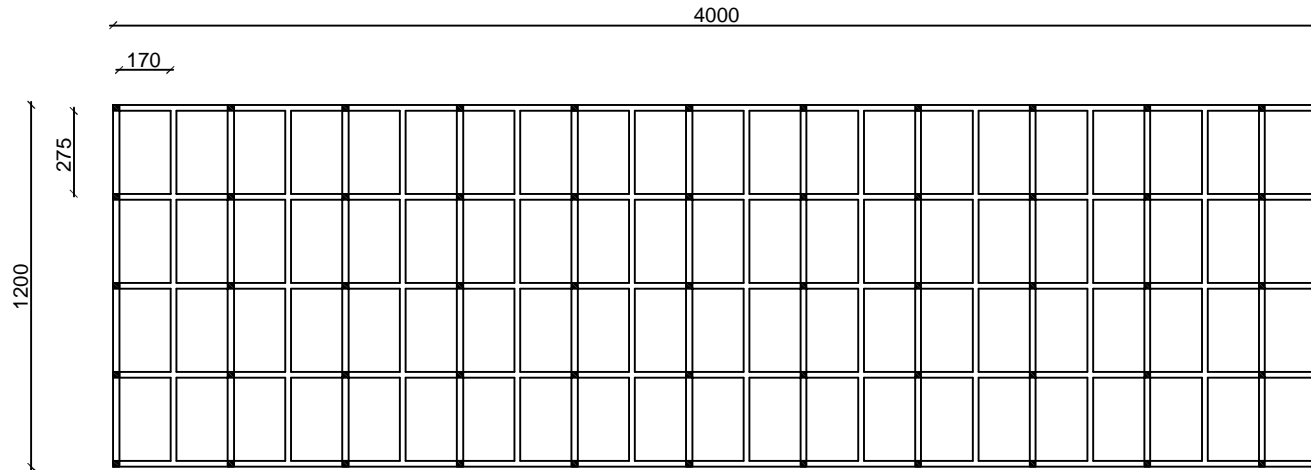
DWG No: 3/ 4

**ALL DIMENSIONS ARE IN
CENTIMETERS

REMARKS:



GOAT SHED BUILDING



GOAT SHED BUILDING

CLIENT:

TITLE : STRUCTURAL PLAN
DWG No: 2/ 4

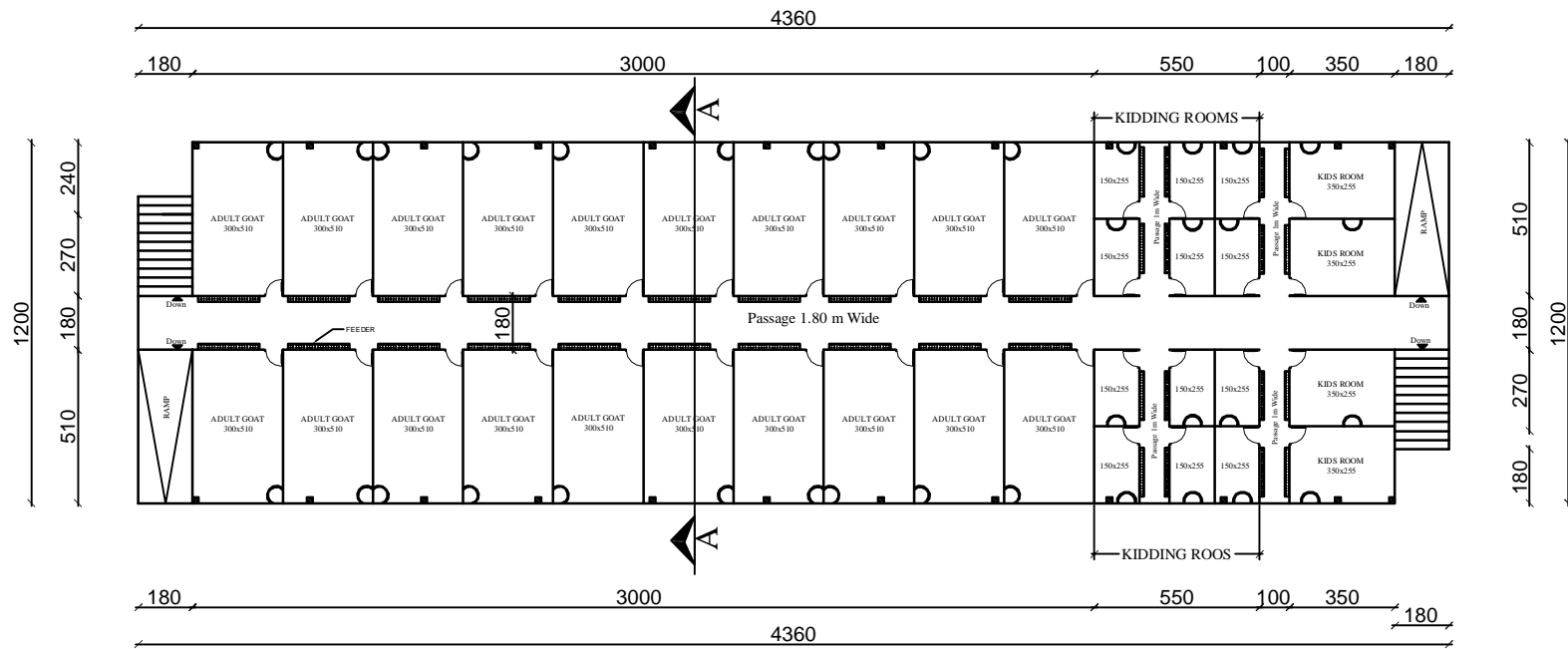
**ALL DIMENSIONS ARE IN
CENTIMETERS

REMARKS:

CLIENT:

TITLE : FLOOR PLAN
DWG No: 1/ 4

REMARKS:



GOAT SHED BUILDING

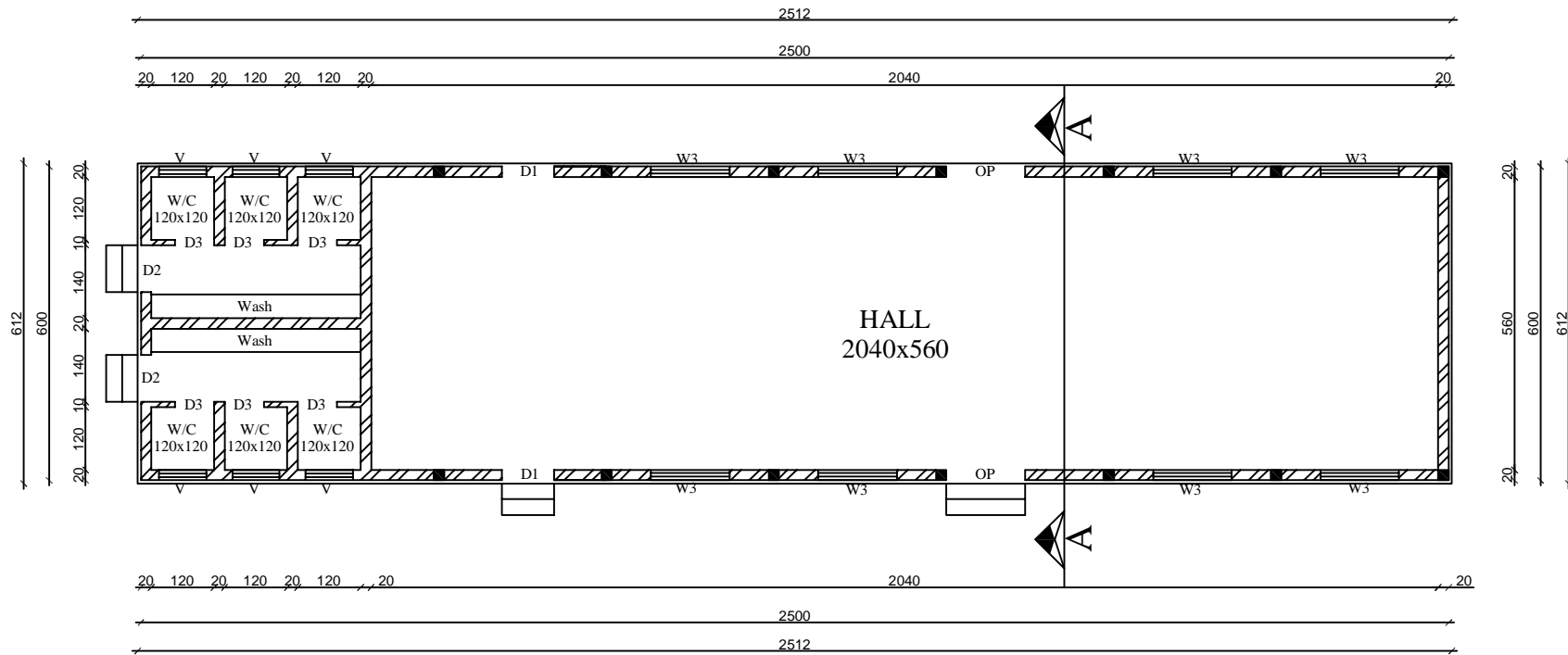
**ALL DIMENSIONS ARE IN CENTIMETERS

CLIENT:

TITLE : FLOOR PLAN
DWG No: 1/ 3
AREA : 153.73 Sq.m
(1654 Sq.ft)

**ALL DIMENSIONS ARE IN
CENTIMETERS

REMARKS:



TRAINING HALL

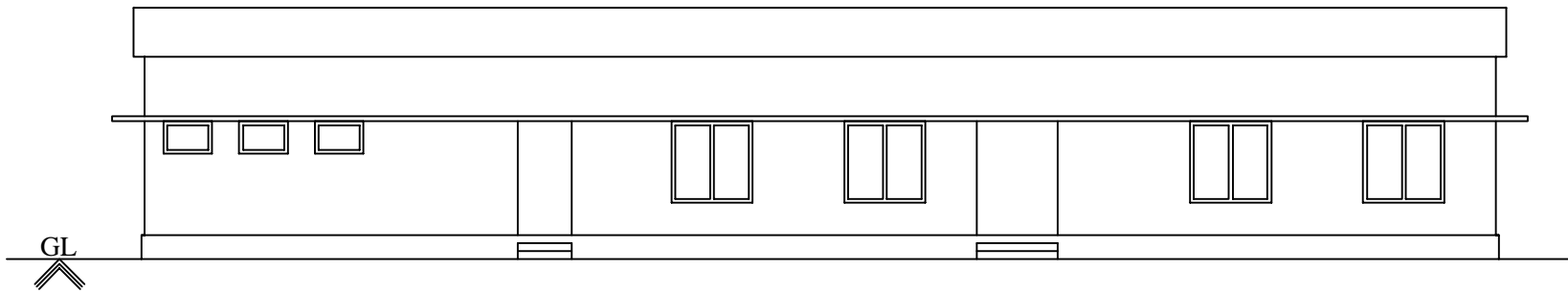
CLIENT:

TITLE : ELEVATION

DWG No: 2/ 3

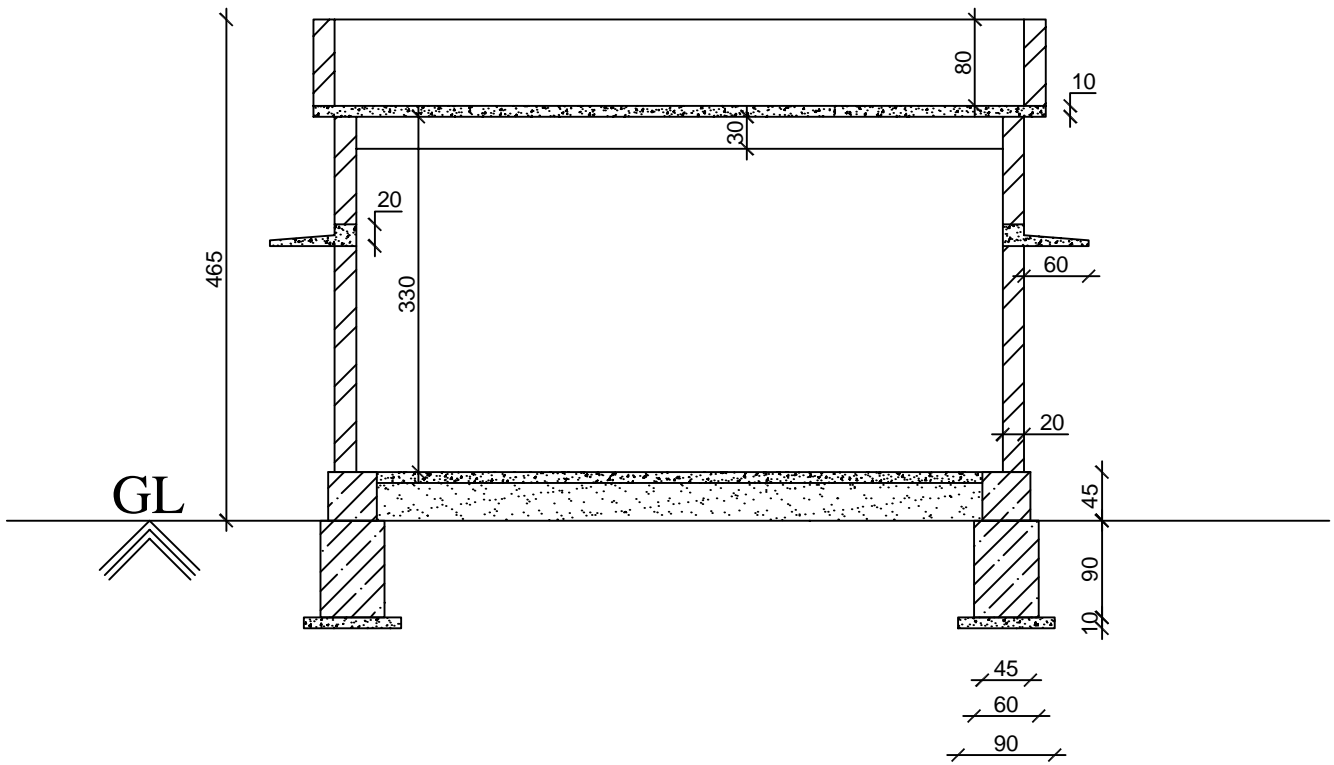
**ALL DIMENSIONS ARE IN
CENTIMETERS

REMARKS:



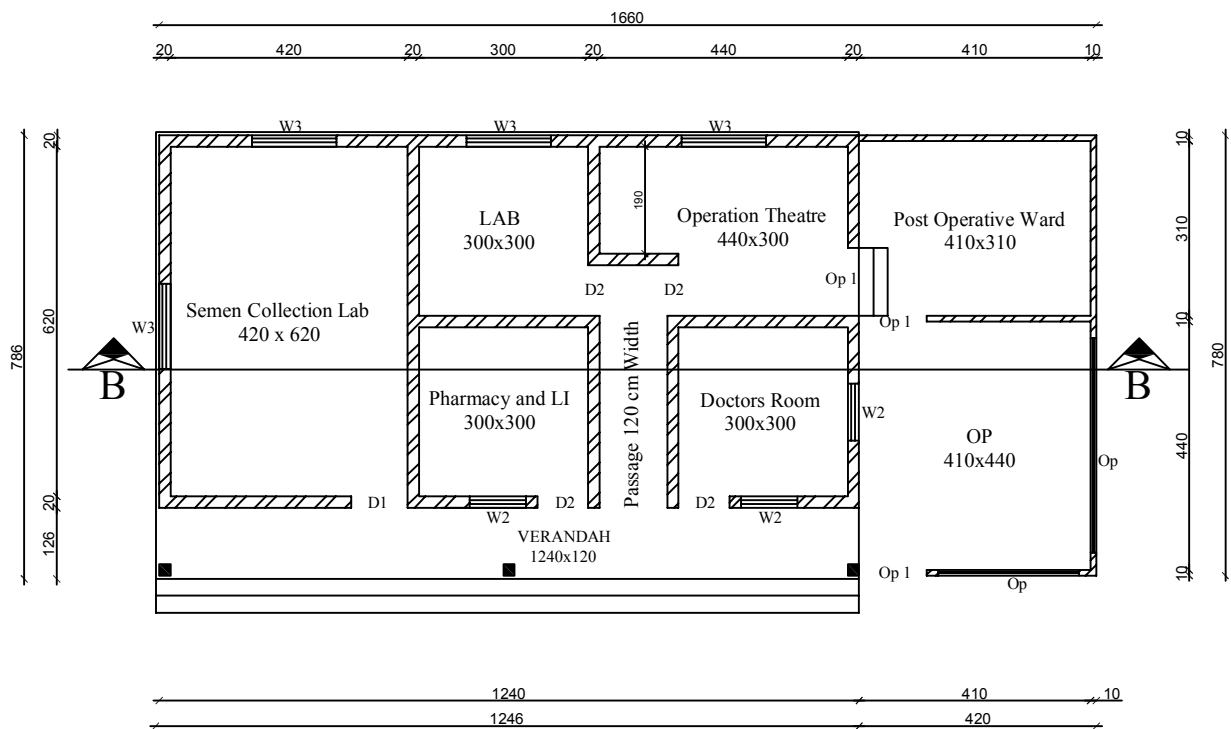
GL

TRAINING HALL



TRAINING HALL

CLIENT:	TITLE : SECTION AA DWG No: 3/3	REMARKS:
	**ALL DIMENSIONS ARE IN CENTIMETERS	



HOSPITAL BUILDING

CLIENT:

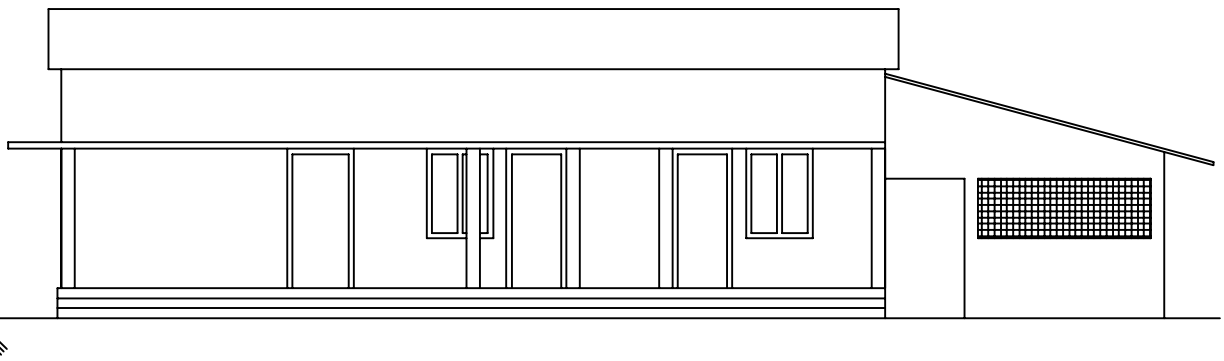
TITLE : FLOOR PLAN

DWG No: 1/3

AREA : 131.44 Sq.m (1414 Sq.ft)

REMARKS:

**ALL DIMENSIONS ARE IN CENTIMETERS



HOSPITAL BUILDING

CLIENT:

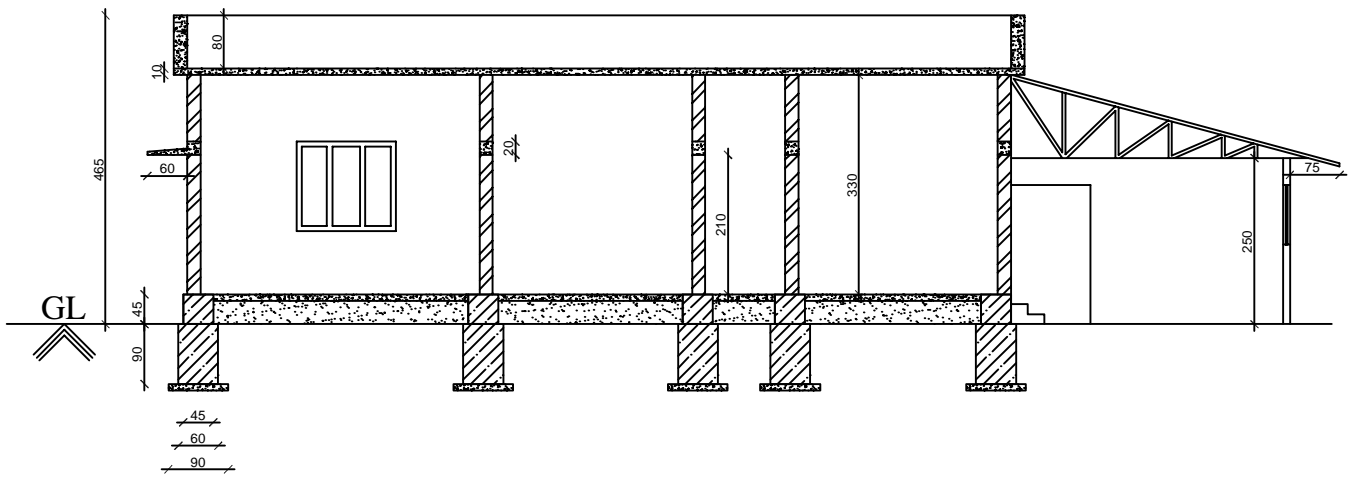
TITLE : ELEVATION

DWG No: 2/3

AREA : 131.44 Sq.m (1414 Sq.ft)

REMARKS:

**ALL DIMENSIONS ARE IN CENTIMETERS



HOSPITAL BUILDING

CLIENT:

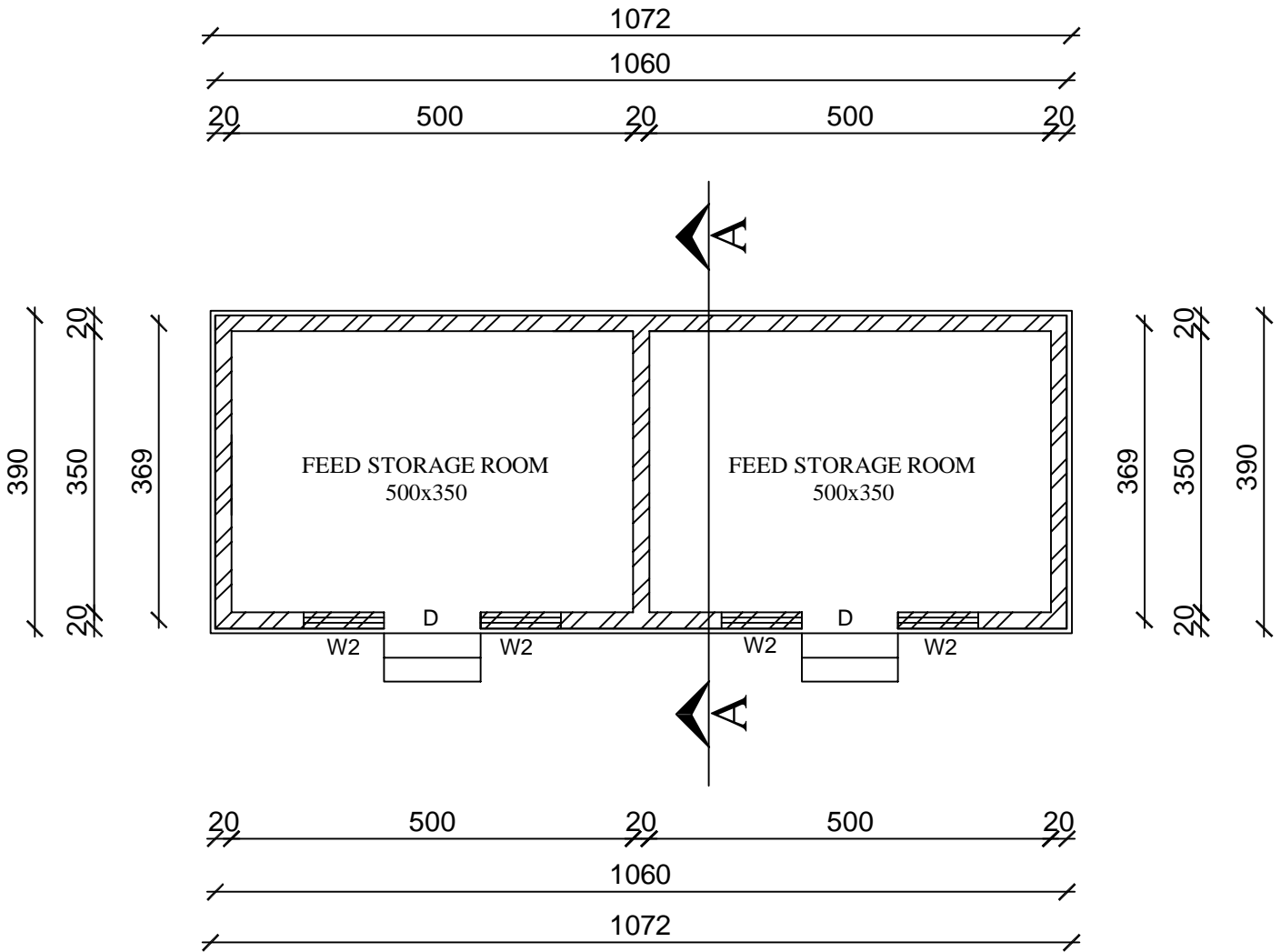
TITLE : SECTION BB

DWG No: 3/3

AREA : 131.44 Sq.m (1414 Sq.ft)

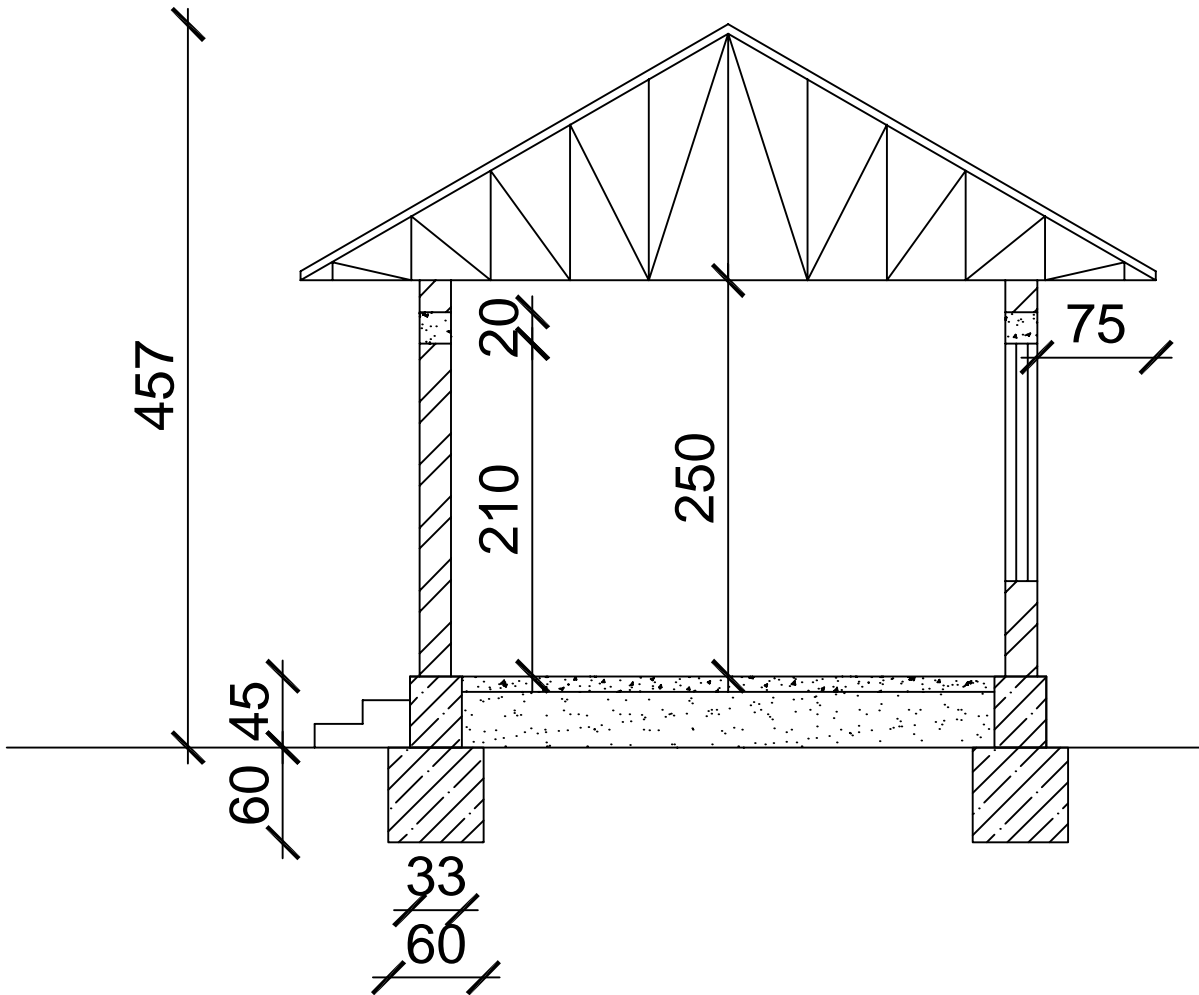
REMARKS:

**ALL DIMENSIONS ARE IN CENTIMETERS



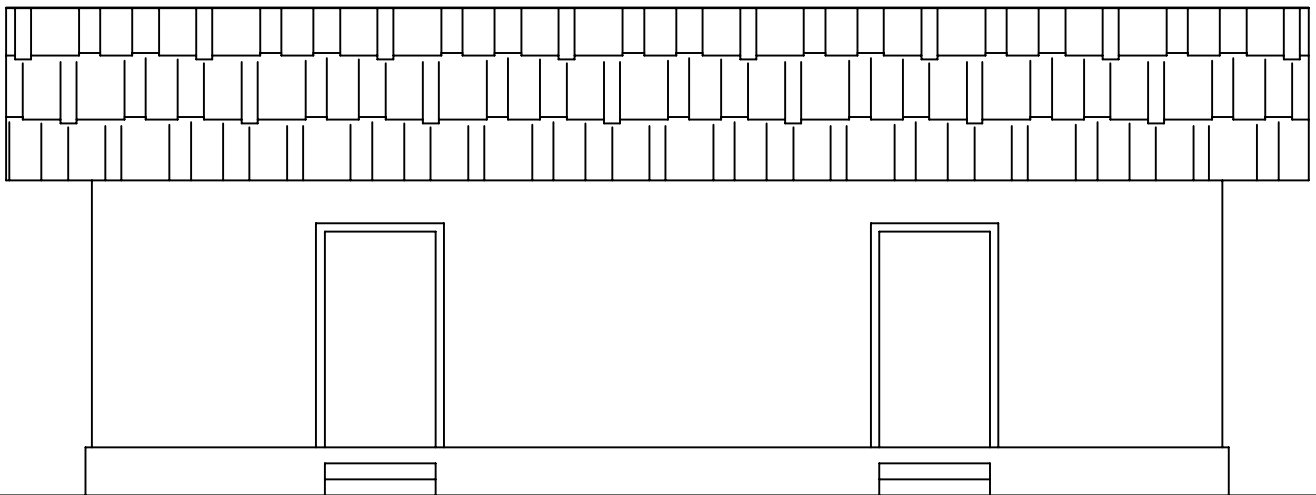
FEED STORAGE BUILDING

CLIENT:	TITLE :FEED STORAGE ROOM PLAN	REMARKS:
	DWG No: 1/3 AREA : 43.09 sq.m (463 sq.ft)	
**ALL DIMENSIONS ARE IN CENTIMETERS		



FEED STORAGE BUILDING

CLIENT:	TITLE :FEED STORAGE ROOM SECTION A-A DWGNo: 2/3 AREA : 43.09sq.m (463 sq.ft)	REMARKS:
	**ALL DIMENSIONS ARE IN CENTIMETERS	



FEED STORAGE BUILDING

CLIENT:

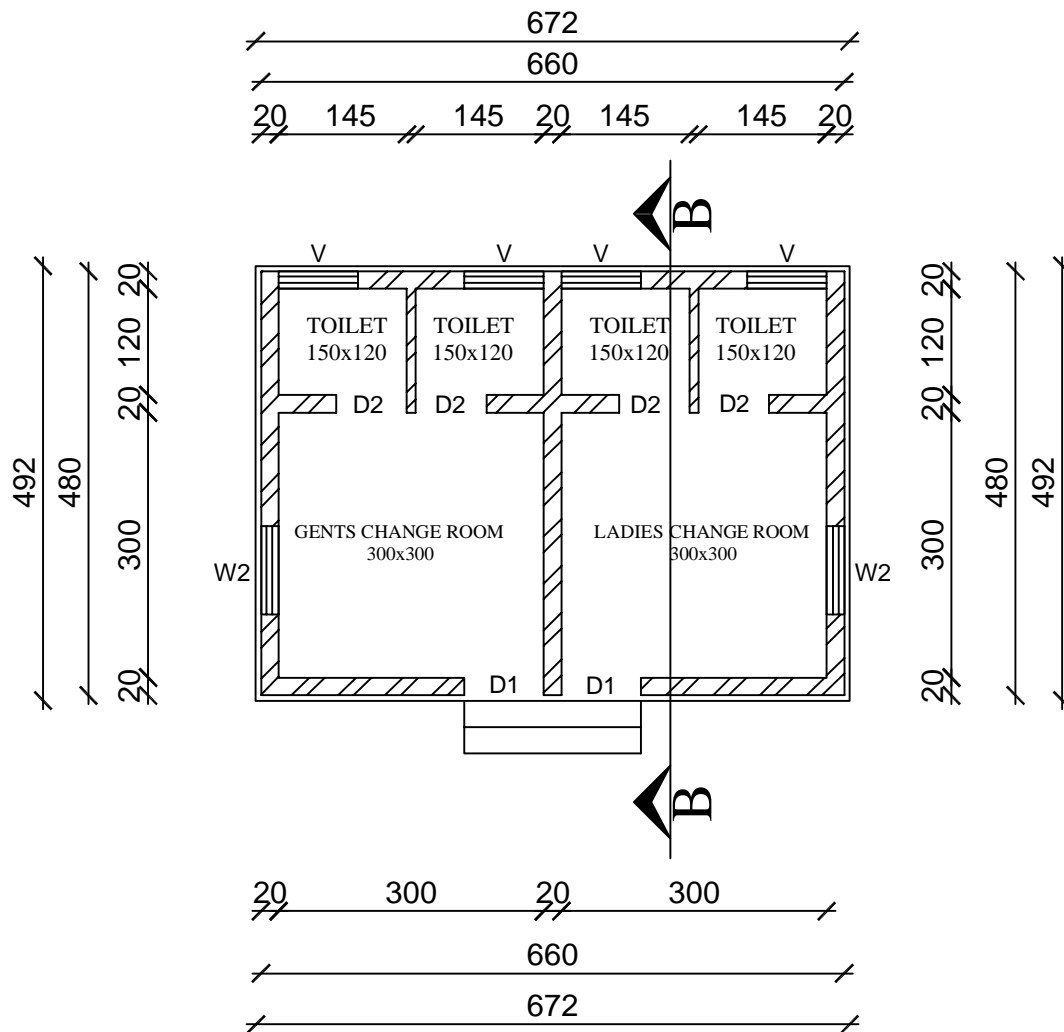
TITLE :FEED STORAGE ROOM ELEVATION

REMARKS:

DWG No: 3/3

AREA : 43.09sq.m (463 sq.ft)

**ALL DIMENSIONS ARE IN CENTIMETERS



CHANGE ROOM BUILDING

CLIENT:

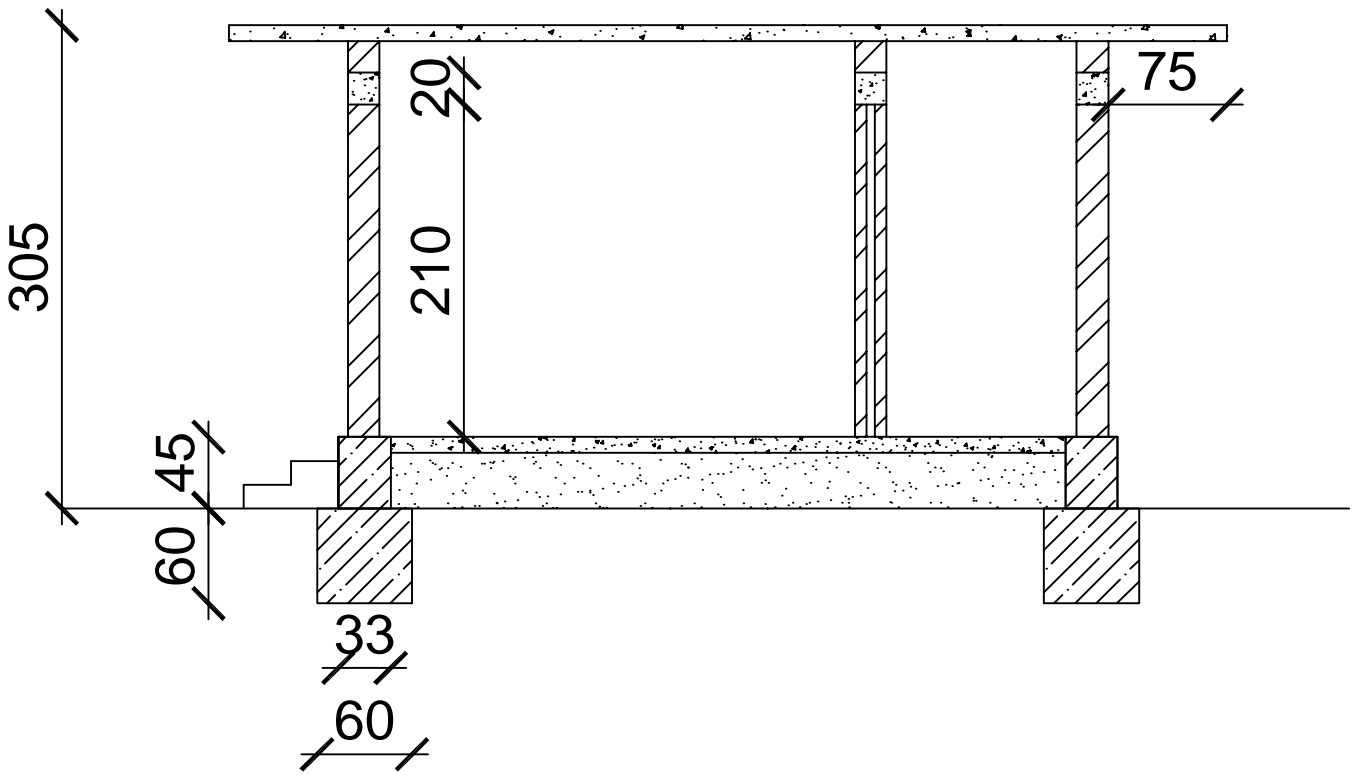
TITLE :CHANGE ROOM PLAN

REMARKS:

DWG No: 1/ 2

AREA : 33.06 sq.m (355sq.ft)

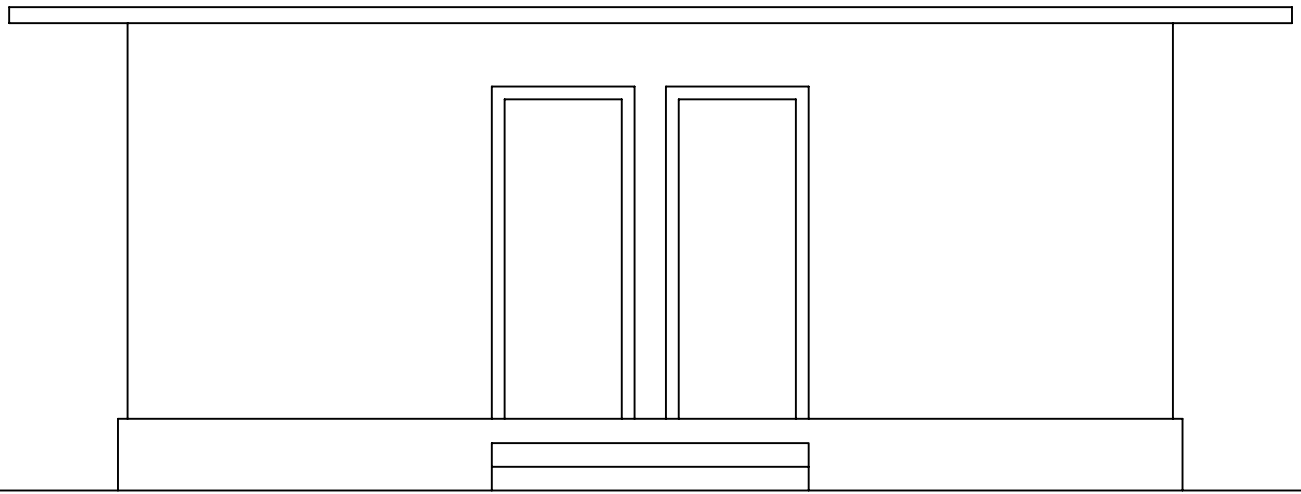
**ALL DIMENSIONS ARE IN CENTIMETERS



CHANGE ROOM BUILDING

CLIENT:	TITLE :CHANGE ROOM SECTION B-B	REMARKS:
	DWG No: 2/3 AREA : 33.06 sq.m (355 sq.ft)	

**ALL DIMENSIONS ARE IN CENTIMETERS



CHANGE ROOM BUILDING

CLIENT:

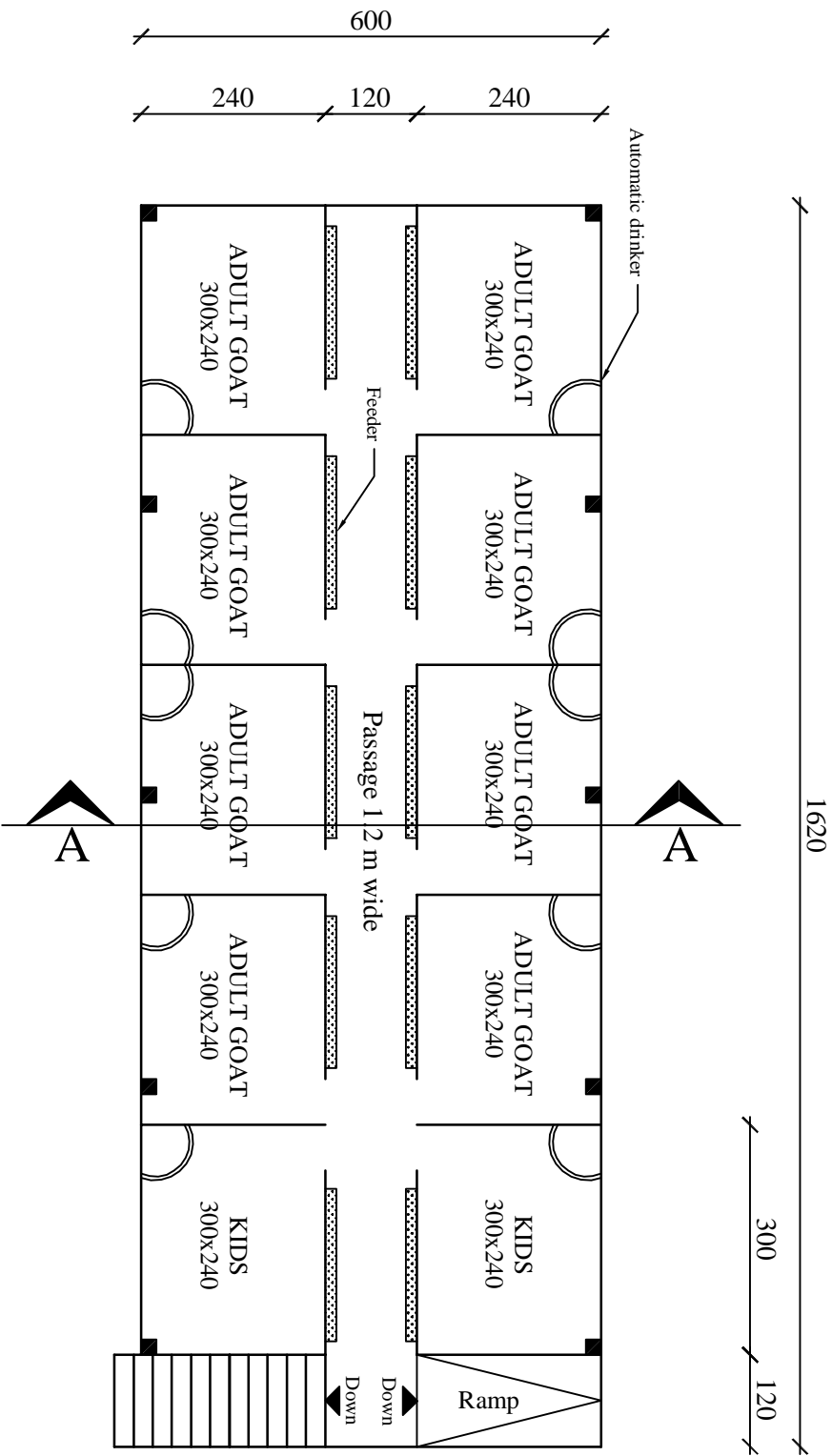
TITLE :CHANGE ROOM ELEVATION

REMARKS:

DWG No: 3/3

AREA : 33.06 sq.m (355sq.ft)

**ALL DIMENSIONS ARE IN CENTIMETERS



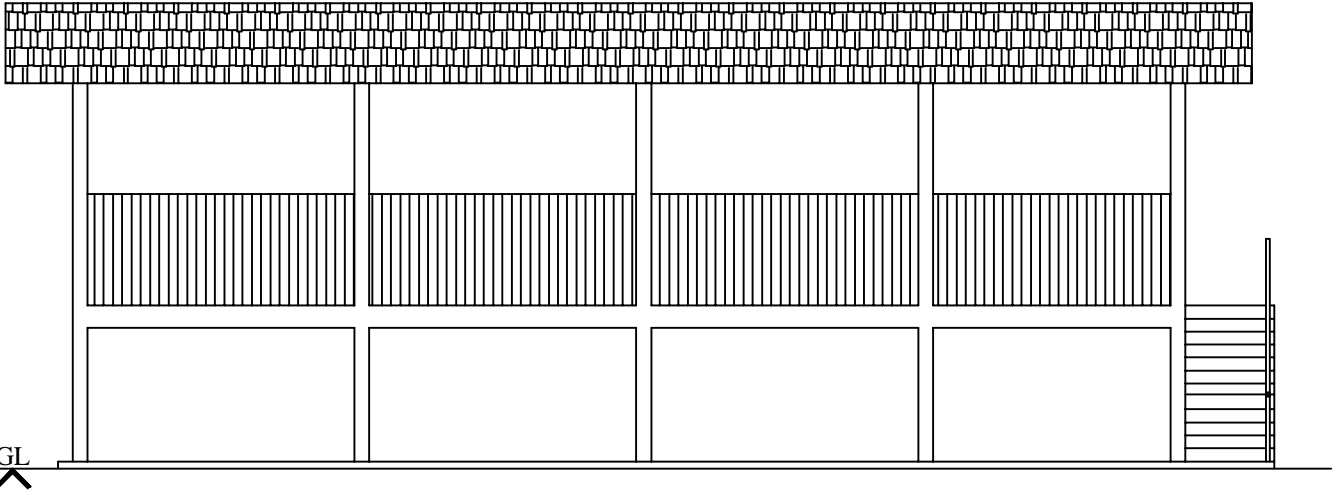
QUARANTINE SHED

CLIENT:

TITLE : FLOOR PLAN
DWG No: 1/3

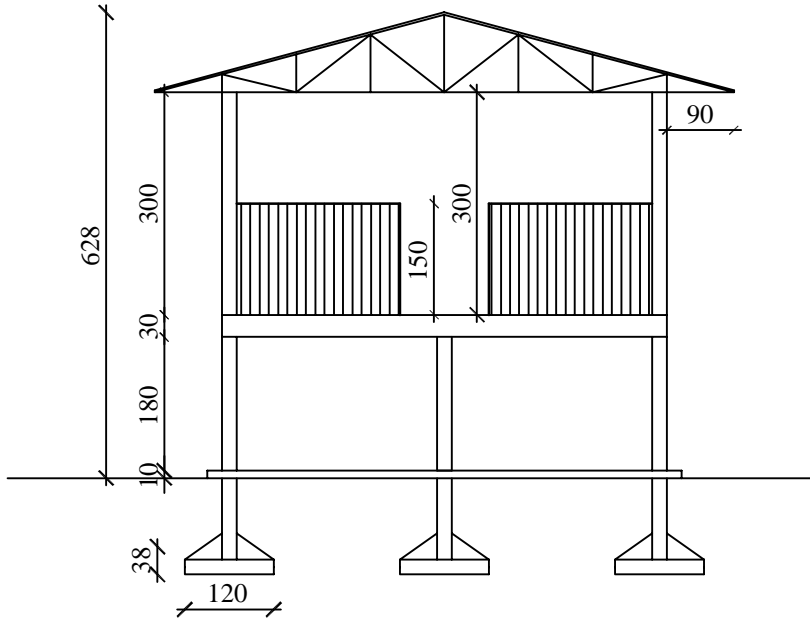
** ALL DIMENSIONS ARE IN CENTIMETERS

REMARKS :



QUARANTINE SHED

CLIENT:	TITLE : ELEVATION DWG No: 2/3	REMARKS :
	**ALL DIMENSIONS ARE IN CENTIMETERS	



QUARANTINE SHED

CLIENT:	TITLE : SECTION AA	REMARKS :
	DWG No: 3/3	
**ALL DIMENSIONS ARE IN CENTIMETERS		